

# Operation Microscope

OMS-90



 **TOPCON**

# Features

**An innovative concept providing optimal observation and versatile operation**

**The following unique features are incorporated in the OMS-90 Operation microscope**

- » Coaxial Illumination
- » Stain-proof Coated Objective Lens
- » Parallel Binocular Tube
- » PD Adjustment Knob
- » Built-in Yellow Filter
- » Compact Base

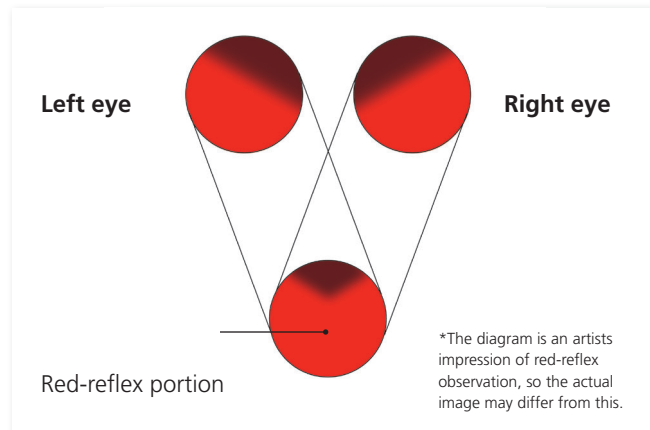


## OMS-90 Operation Microscope

### Coaxial Illumination

The designed illumination system of the OMS-90 assures the finest optical performance. The optical system has been fitted with a innovative design that allows the surgeon to view a sharper image, with more clarity than ever before.

The illumination system of the OMS-90 produces a superior red-reflex image for assistance in surgical procedures. As shown in the diagram, the innovative system design merges two improved field of views to produce an enhanced red-reflex and unparallelled image quality.



### Stain-proof coated objective lens (f=200mm)

The stain-proof coating is applied to help retain a clear viewing area. The focal length (F=200mm) provides the standardized comfortable working distance.

### Parallel binocular tube

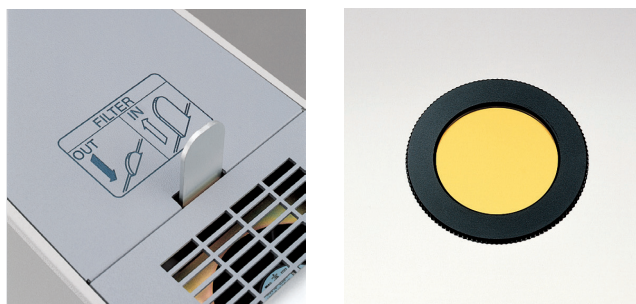
The parallel binocular tube provides a natural stereo-scopic view.

### Pd adjustment knob

The built-in PD adjustment feature offers easy alignment.

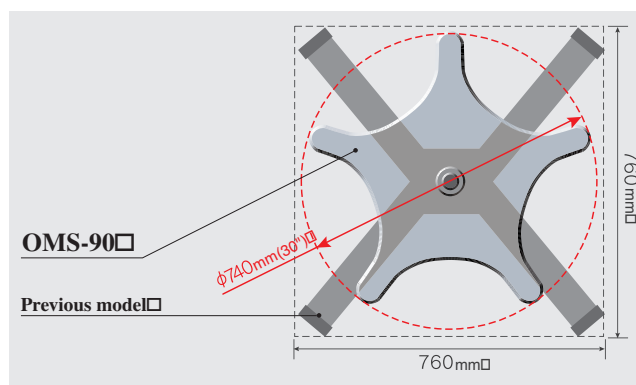
### Built-in yellow filter

The flip in/out yellow filter is built into the system to allow full protection against retina phototoxicity.



### Compact base

The sturdy and compact Ø740mm (30") base is designed for optimal use of limited operating room floor space.



## Optional accessories

### X-Y Translator

The x-y translator adapter provides precise movement around the surgical field. A one-touch re-centering button is provided.



### Assistant's Microscope

The parallel binocular assistant's microscope provides easy positioning, a wide field of view and 30 degrees of rotation.



### Oblique illuminator

The oblique illuminator offers a supplemental light source for indirect illumination. The slit will rotate 30 degrees and adjust from 0 to 20mm in width.



### Beam splitter (80/20 or 50/50)

An 80/20 or a 50/50 beam splitter is available for the attachment of documentation devices.

### Accessory adapter model 2

The accessory adapter is required to attach the assistant's microscope and/or the oblique illuminator to the OMS-90.

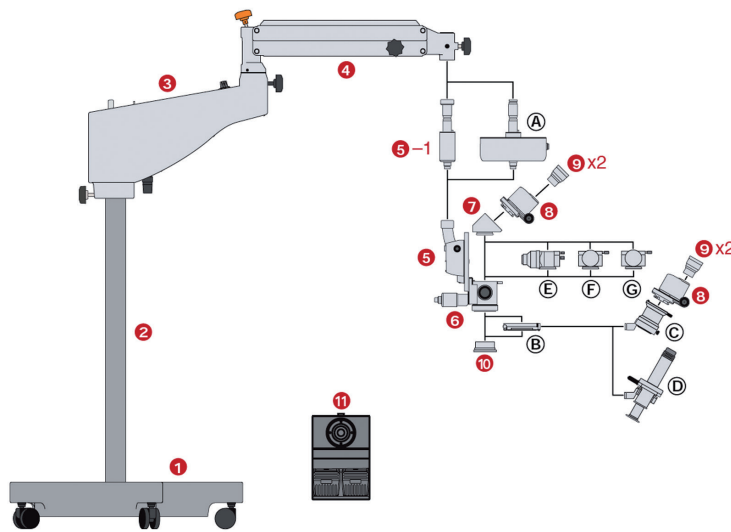
### 1/2 TV attachment

The 1/2 tv attachment incorporates a built-in beam splitter and lets the user connect a 1/2 inch C-mount camera to the OMS-90.

# Specifications

<b>Table title</b>	
<b>Binocular tube</b>	Parallel 45° inclined binocular tube
<b>Objective lens</b>	F=200mm
<b>Eyepieces</b>	12.5x
<b>Magnification change type</b>	Drum type with 5 changes
<b>Total magnification</b>	3.4x, 5.3x, 8.5x, 13.6x, 21.2x
<b>Field of view</b>	∅ 66.3, ∅ 42.3, ∅ 26.3, ∅ 17.1, ∅ 10.3 mm
<b>X-Y Translator (option)</b>	Range:±25mm
<b>Light source</b>	12V 100W halogen lamp (light guided system) (one-touch changeable two lamps)
<b>Filter</b>	Built-in: Heat-absorbing and UV cut filters Flip-in/out: Yellow filter
<b>Length</b>	1st arm: 400mm; 2nd arm: 560mm
<b>Rotational angle</b>	1st arm: 360°; 2nd arm: 300°
<b>Base dimensions</b>	∅ 740mm (30")
<b>Primary voltage</b>	AC100-120V or AC220-240V
<b>Power frequency</b>	50/60Hz*
<b>Maximum power consumption</b>	280VA 740mm (30")
<b>Weight</b>	97kg

# System Chart



- 1 ----- Base
- 2 ----- Column
- 3 ----- 1st Arm
- 4 ----- 2nd Arm
- 5 ----- Focusing Unit
- 5-1 ----- Joint Arm
- 6 ----- Microscope Body
- 7 ----- 45° Inclined Adapter
- 8 ----- Parallel Binocular Tube
- 9 ----- 12.5X Eyepiece
- 10 ----- F=200mm Objective Lens
- 11 ----- Foot Switch

### < Optional Accessories >

- A ----- X-Y Translator
- B ----- Accessory Adapter Model 2
- C ----- Assistant's Microscope
- D ----- Oblique Illuminator
- E ----- 1/2 TV Attachment
- F ----- Beam Splitter(80/20)
- G ----- Beam Splitter(50/50)



### IMPORTANT

Subject to change in design and/or specifications without advanced notice.  
In order to obtain the best results with this instrument, please be sure to review all user instructions prior to operation.

**Topcon Europe Medical B.V.**  
Essebaan 11; 2908 LJ Capelle a/d IJssel; P.O. Box 145;  
2900 AC Capelle a/d IJssel; The Netherlands  
Phone: +31-(0)10-4585077; Fax: +31-(0)10-4585045  
E-mail: medical@topcon.eu; www.topcon-medical.eu

**Topcon Danmark**  
Præstemarksvej 25; 4000 Roskilde, Danmark  
Phone: +45-46-327500; Fax: +45-46-327555  
E-mail: info@topcon.dk  
www.topcon.dk

**Topcon Scandinavia A.B.**  
Neongatan 2; P.O. Box 25; 43151 Mölndal, Sweden  
Phone: +46-(0)31-7109200; Fax: +46-(0)31-7109249  
E-mail: medical@topcon.se; www.topcon.se

**Topcon España S.A.**  
HEAD OFFICE; Frederic Mompou, 4;  
08960 Sant Just Desvern; Barcelona, Spain  
Phone: +34-93-4734057; Fax: +34-93-4733932  
E-mail: medica@topcon.es; www.topcon.es

**Topcon Italy**  
Viale dell' Industria 60;  
20037 Paderno Dugnano, (MI) Italy  
Phone: +39-02-9186671; Fax: +39-02-91081091  
E-mail: info@topcon.it; www.topcon.it

**Topcon France**  
BAT A1; 3 route de la révolte, 93206 Saint Denis Cedex  
Phone: +33-(0)1-49212323; Fax: +33-(0)1-49212324  
E-mail: topcon@topcon.fr; www.topcon-medical.fr

**Topcon Deutschland GmbH**  
Hanns-Martin-Schleyer Strasse 41;  
D-47877 Willich, Germany  
Phone: (+49) 2154-885-0; Fax: (+49) 2154-885-177  
E-mail: info@topcon-medical.de; www.topcon-medical.de

**Topcon Polska Sp. z o.o.**  
ul. Warszawska 23; 42-470 Siewierz; Poland  
Phone: +48-(0)32-670-50-45; Fax: +48-(0)32-671-34-05  
www.topcon-polska.pl

**Topcon (Great Britain) Ltd.**  
Topcon House; Kennet Side; Bone Lane; Newbury  
Berkshire RG14 5PX; United Kingdom  
Phone: +44-(0)1635-551120; Fax: +44-(0)1635-551170  
E-mail: medical@topcon.co.uk; www.topcon.co.uk

**Topcon Ireland**  
Unit 276, Blanchardstown; Corporate Park 2  
Ballycoolin; Dublin 15, Ireland  
Phone: +353-18975900; Fax: +353-18293915  
E-mail: medical@topcon.ie; www.topcon.ie



**TOPCON CORPORATION**  
75-1 Hasunuma-cho, Itabashi-ku, Tokyo 174-8580, Japan.  
Phone: 3-3558-2523/2522; Fax: 3-3960-4214; www.topcon.co.jp